

# The Wise Choice for Professionals



## SNB-6003

### 2MP 1080P Full HD Network Camera

- Max. 2M (1920x1080) resolution, 1080P Full HD support
- 60fps @1080P Full HD
- P-iris
- Day & Night (Electrical), Enhanced DIS, Defog
- WDR (100dB, 30fps @ 2MP)
- Built-in SD/SDHC/SDXC memory slot
- Multi-crop streaming

The SNB-6003 is a camera from Samsung Techwin WiseNetIII network ranges which feature the most advanced functions from Samsung with 2 megapixel 1080P of high definition images. Its high functionalities includes 100dB WDR which delivers 30fps at 2 megapixel 1080P, low light performance down to 0.1 lux (F1.2, 50IRE, color) creating clear images under low light conditions, and P-iris support which result in images with better contrast, clarity, resolution and depth of field. With enhanced features and new technologies which combat the challenges of though environmental conditions, the SNB-6003 will meet the market need which requires professional security.



## Specifications

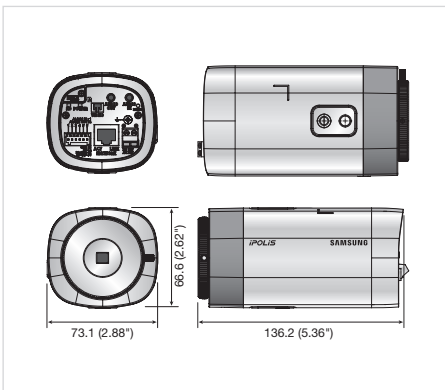


	SNB-6003N/P
<b>VIDEO</b>	
Imaging Device	1/2.8" PS Exmor 2.38M CMOS
Total Pixels	1,952(H) x 1,116(V)
Effective Pixels	1,944(H) x 1,104(V)
Scanning System	Progressive
Min. Illumination	Color : 0.1Lux (F1.2, 50IRE), B/W : 0.1Lux (F1.2, 50IRE)
S / N Ratio	50dB
Video Output	CVBS : 1.0 Vp-p / 75Ω composite, 704 x 480(N), 704 x 576(P), for installation DIP connector type
<b>LENS</b>	
Focus Control	Manual
Lens Type	Manual / DC auto iris, P-Iris
Mount Type	C / CS
<b>OPERATIONAL</b>	
Camera Title	Off / On (Displayed up to 45 characters)
Day & Night	Auto (Electrical) / Color / B/W / External / Schedule
Backlight Compensation	Off / BLC
Wide Dynamic Range	100dB
Contrast Enhancement	SSDR (Samsung Super Dynamic Range) (Off / On)
Digital Noise Reduction	SSNR III (2D+3D noise filter) (Off / On)
Digital Image Stabilization	Off / On
Defog	Off / Auto / Manual
Motion Detection	Off / On (4ea 4points polygonal zones)
Privacy Masking	Off / On (32zones with 4points of polygonal)
Gain Control	Off / Low / Middle / High
White Balance	ATW / AWC / Manual / Indoor / Outdoor
Electronic Shutter Speed	Minimum / Maximum / Anti flicker (2 ~ 1/12,000sec)
Flip / Mirror	Off / On
Intelligent Video Analytics	Tampering, Virtual line, Enter/Exit, Appear / Disappear, Audio detection, Face detection
Alarm I/O	Input 1ea / Output 1ea
Remote Control Interface	RS-485
RS-485 Protocol	Samsung-T/E, Pelco-P/D, Sungjin
Alarm Triggers	Motion detection, Audio detection, Face detecton, Video analytics, Alarm input, Network disconnection
Alarm Events	File upload via FTP and E-mail, Notification via E-mail, TCP and HTTP, Local storage (SD/SDHC/SDXC) recording at Network disconnected & Event (Alarm triggers), External output
<b>NETWORK</b>	
Ethernet	RJ-45 (10/100BASE-T)
Video Compression Format	H.264 (MPEG-4 part 10/AVC), MJPEG
Resolution	1920 x 1080, 1280 x 1024, 1280 x 960, 1280 x 720, 1024 x 768, 800 x 600, 800 x 450, 640 x 480, 640 x 360, 320 x 240, 320 x 180
Max. Framerate	H.264 : Max. 60fps at all resolutions MJPEG : 1920 x 1080, 1280 x 1024, 1280 x 960, 1280 x 720, 1024 x 768 : Max. 15fps 800 x 600, 800 x 450, 640 x 480, 640 x 360, 320 x 240, 320 x 180 : Max. 30fps
Video Quality Adjustment	H.264 : Compression level, Target bitrate level control, MJPEG : Quality level control
Bitrate Control Method	H.264 : CBR or VBR, MJPEG : VBR
Streaming Capability	Multiple streaming (Up to 10 profiles)
Audio I/O	Selectable (Mic in / Line in), Max output level : 1 Vrms Supply voltage : 3.3V DC (4mA), Input impedance : approx. 2K Ohm
Audio Compression Format	G.711 u-law / G.726 selectable, G.726 (ADPCM) 8KHz, G.711 8KHz
Audio Communication	G.726 : 16Kbps, 24Kbps, 32Kbps, 40Kbps
IP	Bi-directional audio IPv4, IPv6
Protocol	TCP/IP, UDP/IP, RTP(UDP), RTP(TCP), RTCP, RTSP, NTP, HTTP, HTTPS, SSL, DHCP, PPPoE, FTP, SMTP, ICMP, IGMP, SNMPv1/v2c/v3(MIB-2), ARP, DNS, DDNS, QoS, PIM-SM, UPnP, Bonjour
Security	HTTPS/SSL login authentication, Digest login authentication IP address filtering, User access log, 802.1x authentication
Streaming Method	Unicast / Multicast
Max. User Access	15 users at unicast mode
Memory Slot	Micro SD/SDHC/SDXC
Application Programming Interfac	Motion images recorded in the SDXC/SDHC/SD memory card can be downloaded ONVIF profile S, HTTP API v2.0, SVPN 1.2
Webpage Language	English, French, German, Spanish, Italian, Chinese, Korean, Russian, Japanese, Swedish, Danish, Portuguese, Turkish, Polish, Czech, Rumanian, Serbian, Dutch, Croatian, Hungarian, Greek, Norwegian, Finnish, Norwegian
Web Viewer	Supported OS : Windows XP / VISTA / 7 / 8, MAC OS X 10.7 Supported Browser : Microsoft Internet Explorer (Ver. 10, 9, 8, 7), Mozilla Firefox (Ver. 19, 18, 17, 16, 15, 14, 13, 12, 11, 10, 9), Google Chrome (Ver. 25, 24, 23, 22, 21, 20, 19, 18, 17, 16, 15), Apple Safari (Ver. 6.0.2(Mac OS X 10.8, 10.7 only), 5.1.7) * Mac OS X only
Central Management Software	SmartViewer 4.0
<b>ENVIRONMENTAL</b>	
Operating Temperature / Humidity	-10°C ~ +55°C (+14°F ~ +131°F) / Less than 90% RH
Storage Temperature / Humidity	-30°C ~ +60°C (-22°F ~ +140°F) / Less than 90% RH
<b>ELECTRICAL</b>	
Input Voltage / Current	24V AC, 12V DC, PoE (IEEE802.3af class3)
Power Consumption	Max. 10.5W (24V AC), Max. 8.5W (12V DC), Max. 10.0W (PoE, Class3)
<b>MECHANICAL</b>	
Color / Material	Black, Ivory / Aluminium, Plastic
Dimensions (WxHxD)	73.1 x 66.6 x 136.2mm (2.88" x 2.62" x 5.36")
Weight	330g (0.73 lb)

\* Data recorded on an SD memory card may be lost or damaged by data access during power-off, mechanical shock, memory card detachment, or other operations. Data loss or damage can also occur when a memory card reaches end of life, which varies according to operational conditions. No guarantee is given against damage (including passive damage).

## Dimensions

Unit : mm (inch)



## Accessory (optional)



The Eco mark represents Samsung Techwin's will to create environment-friendly products and indicates that the product satisfies the EU RoHS Directive.

Design and specifications are subject to change without notice.

DISTRIBUTED BY



**SAMSUNG TECHWIN CO., LTD.** 701, Sampyeong-dong, Bundang-gu, Seongnam-si, Gyeonggi-do Korea 463-400  
Tel : +82-70-7147-8741-8749, 8752-8760 Fax : +82-31-8018-3745 www.samsungsecurity.com www.samsungcctv.com

**SAMSUNG TECHWIN AMERICA Inc.**  
100 Challenger Rd. Suite 700 Ridgefield Park, NJ 07660  
Toll Free : +1-877-213-1222 Direct : +1-201-325-6920  
Fax : +1-201-373-0124  
www.samsungcctvusa.com

**SAMSUNG TECHWIN EUROPE LTD.**  
2nd floor No5, The Height, Brookland, Weybridge, Surrey,  
U.K. KT13 0NY  
Tel : +44 1932 82 6700

**SHANGHAI SAMSUNG TECHWIN CO., LTD.**  
32F, Bld. B, International Business Center, No. 391 Guiping Rd.,  
Shanghai, China 200233  
Tel : 021-5427-1155 Fax : 021-5423-5122